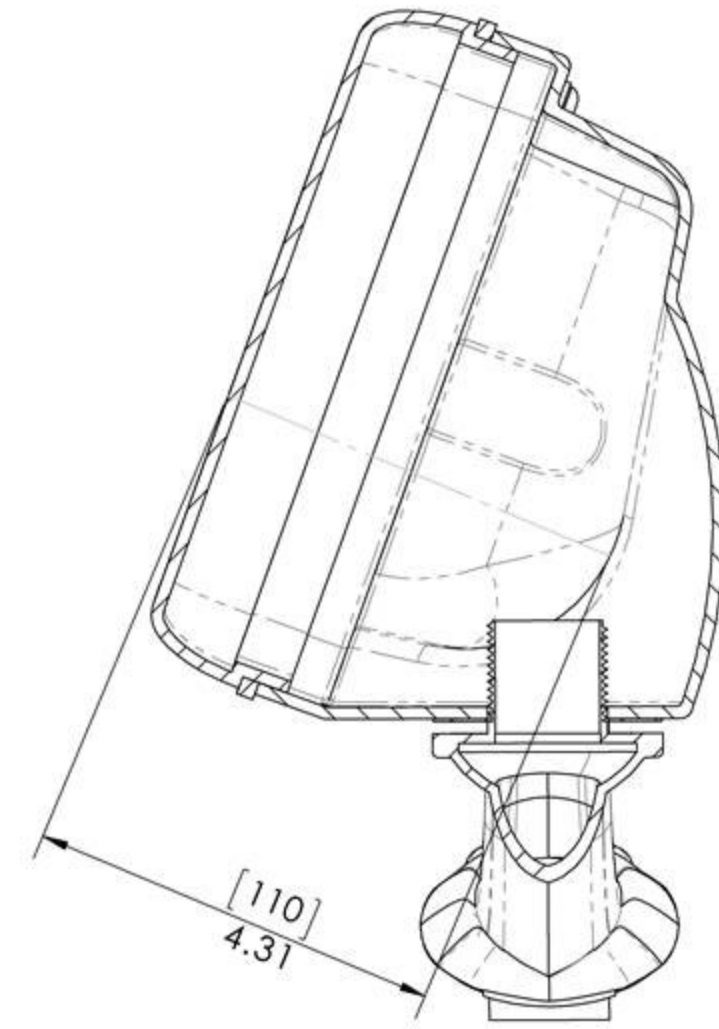
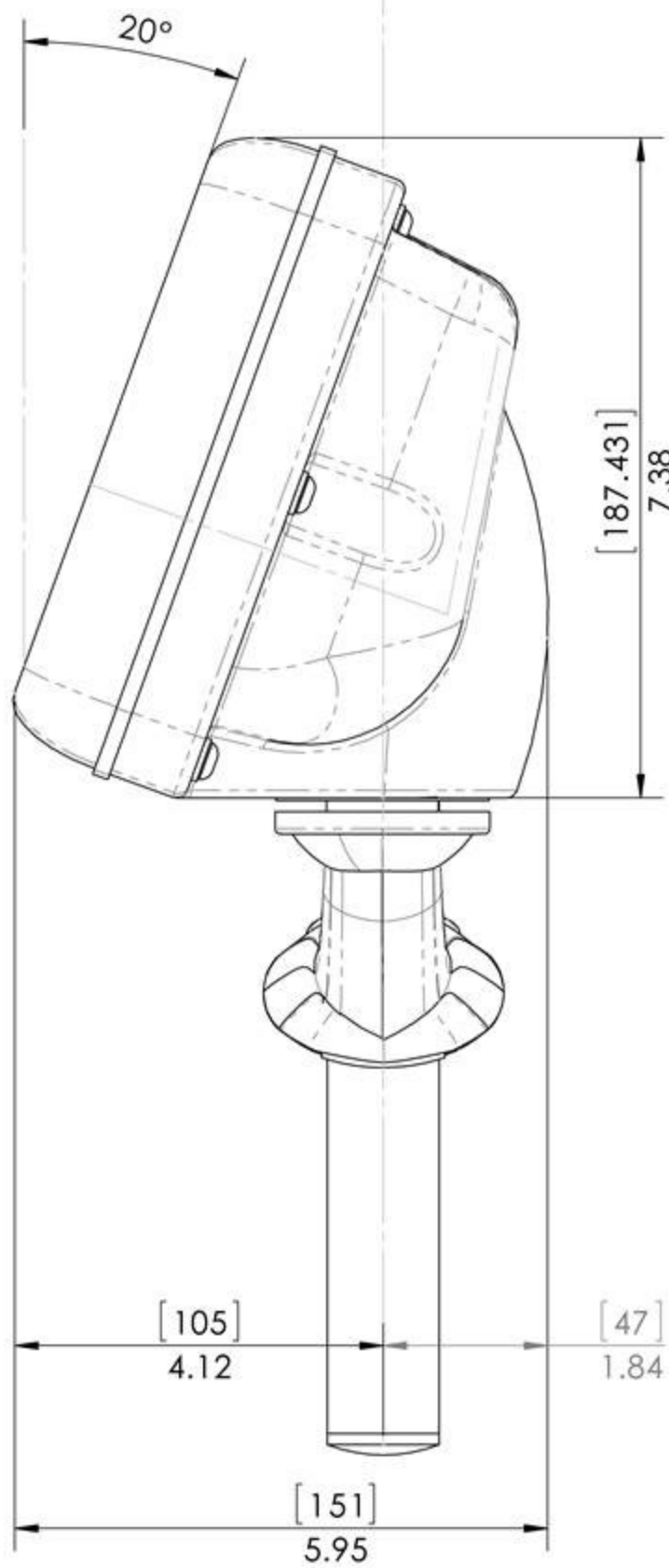
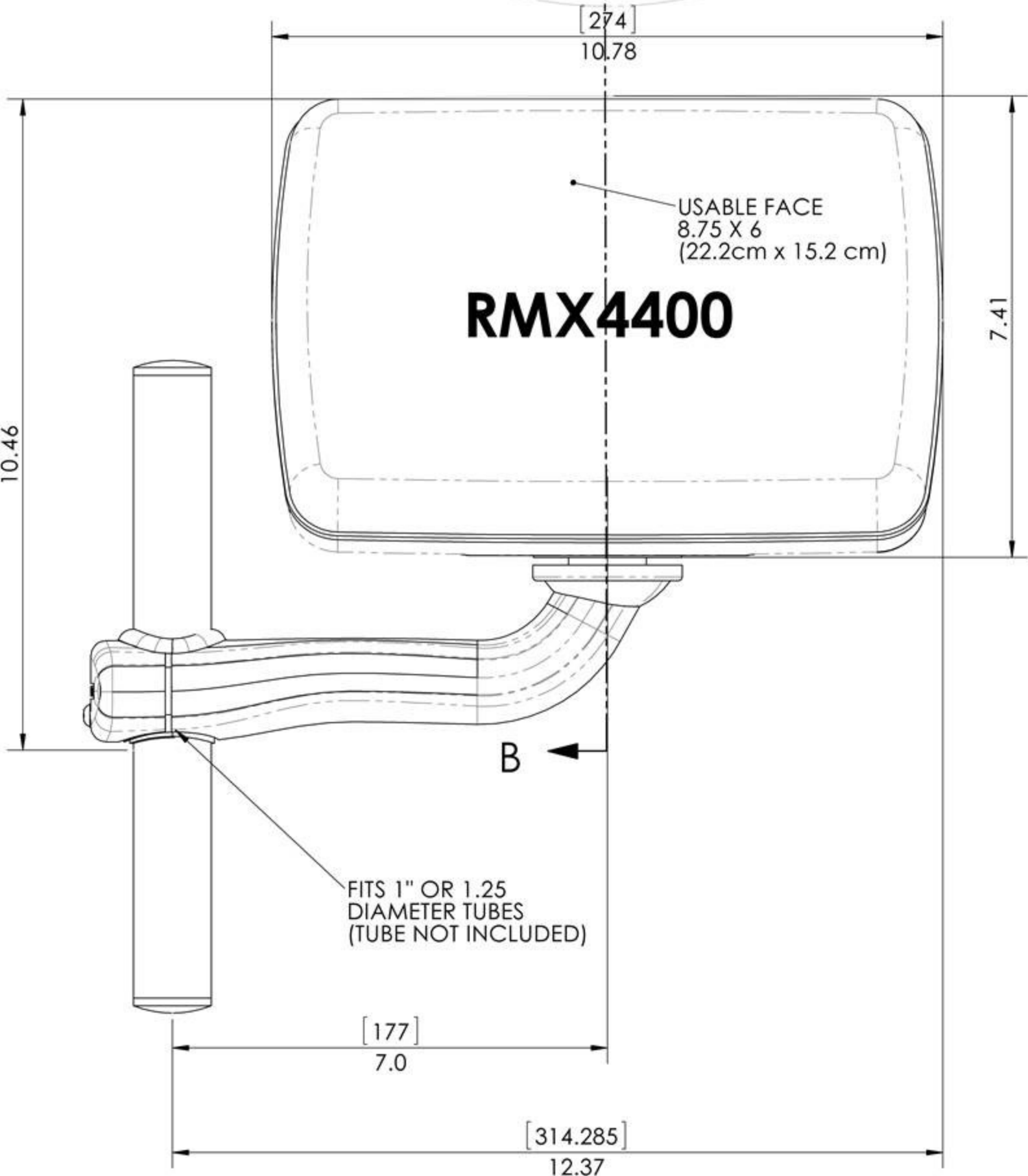
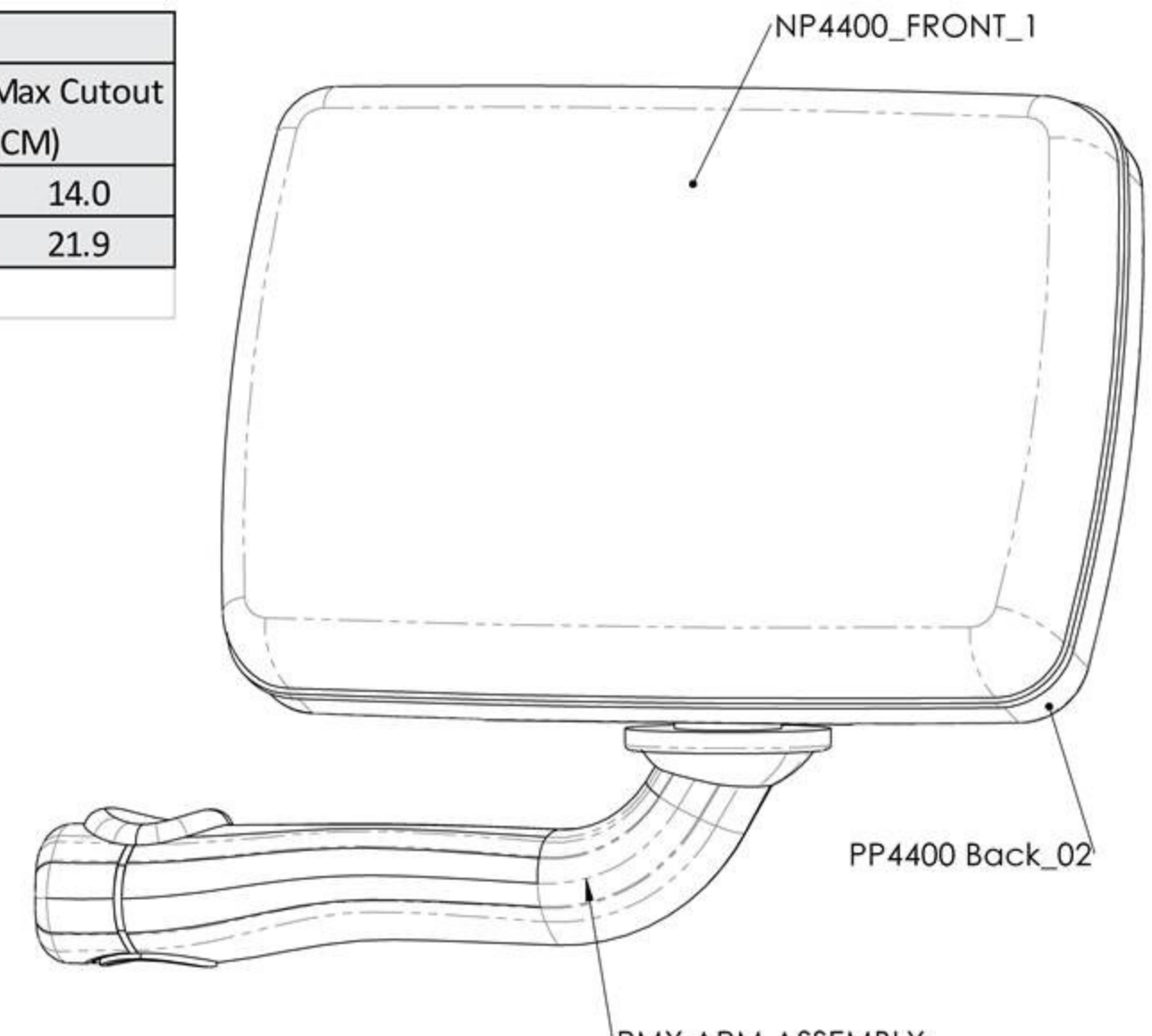
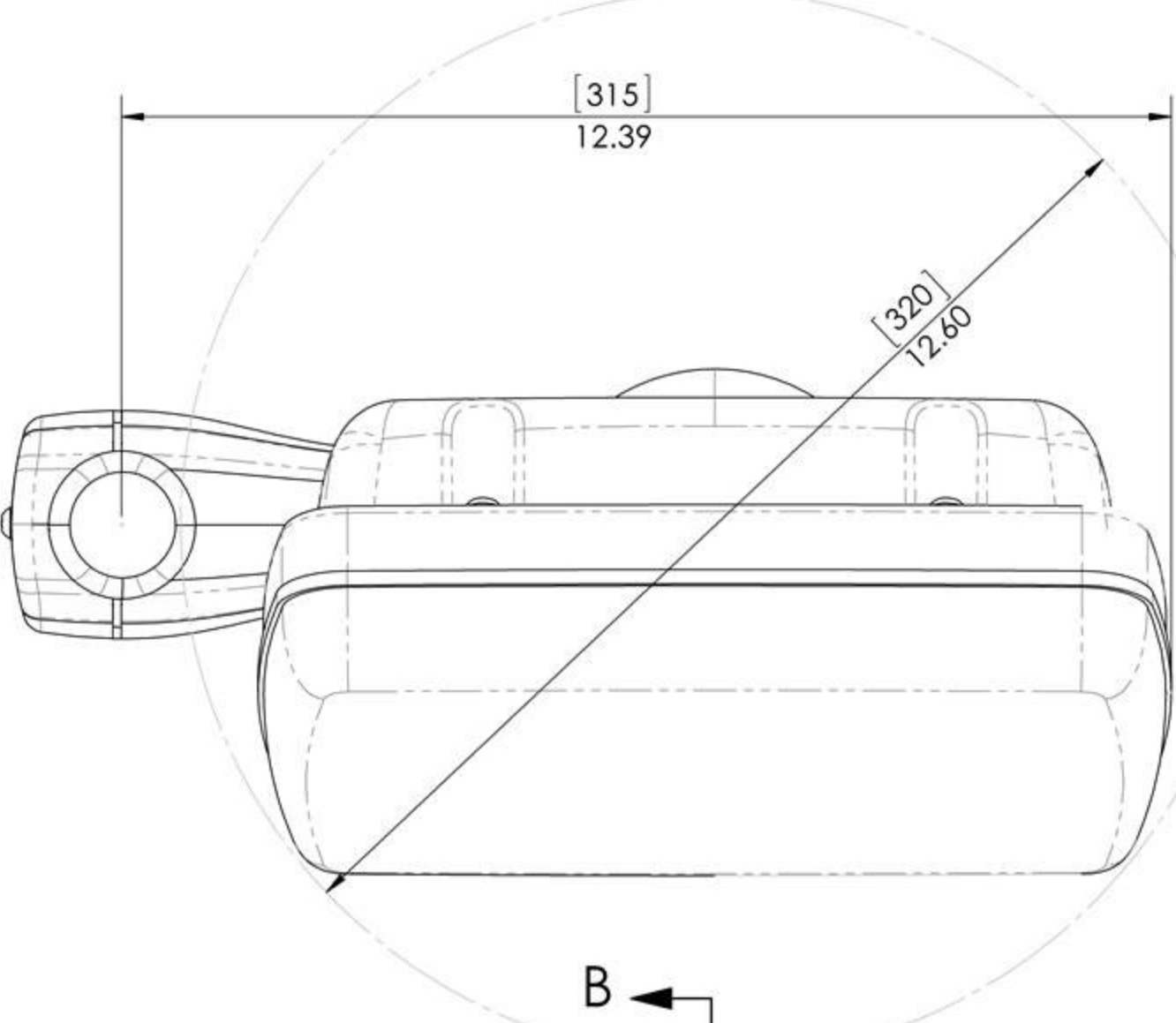


RMX4400 Sizing Chart						
	Overall Size (IN)	Overall Size (CM)	Usable Face (IN)	Usable Face (CM)	Max Cutout (IN)	Max Cutout (CM)
Height	10.5	26.7	6	15.2	5.5	14.0
Width	12.5	31.8	8.75	22.2	8.625	21.9
Depth	5.92	15.0	3.25	8.3		



SECTION B-B
SCALE 1:2

RMX4400 RailMount Un-Cut (usable face = 8.75" w x 6" h) (22.2cm w x 15.2cm h) (fits 1" or 1.25" tubing)

PROPRIETARY AND CONFIDENTIAL
THE INFORMATION CONTAINED IN THIS DRAWING IS THE SOLE PROPERTY OF OCEAN EQUIPMENT. ANY REPRODUCTION IN PART OR AS A WHOLE WITHOUT THE WRITTEN PERMISSION OF OCEAN EQUIPMENT IS PROHIBITED.

UNLESS OTHERWISE SPECIFIED:		NAME	DATE	OCEAN EQUIPMENT
DIMENSIONS ARE IN INCHES		DRAWN	MDJ	
TOLERANCES:		CHECKED		TITLE:
FRACTIONAL ± 1/8		ENG APPR.		
ANGULAR: MACH ±		MFG APPR.		
TWO PLACE DECIMAL ±0.12		Q.A.		
THREE PLACE DECIMAL ±0.125		COMMENTS:		
INTERPRET GEOMETRIC TOLERANCING PER: MATERIAL				
FINISH				
NEXT ASSY	USED ON			
APPLICATION	DO NOT SCALE DRAWING			

SIZE DWG. NO. REV
C RMX4400
SCALE: 1:4 WEIGHT: SHEET 1 OF 2