



Bilge and Aerator Pump Replacement Motor Cartridge

4620, 4622, 4624, 4623, 4625 Series

SAVE THESE INSTRUCTIONS

Form Number 69397 Rev. A

10-03

⚠ WARNING

Read all instructions carefully before installing and using this product. To prevent personal injury, disconnect the power source when installing or servicing this product. Always remove the boat from the water before using 120V AC power tools.

DO NOT use pump to remove gasoline, oil or other flammable liquids. Always use the fuse amperage rating specified for your pump model. Failure to do so could result in serious personal injury or fire hazards.

Attwood bilge pumps are designed to exhaust STANDING WATER ONLY. They are not intended to prevent rapid accumulation of on-board water due to rough weather, hull damage, and/or other unsafe navigational conditions.

PRODUCT FEATURES

The Attwood Motor Cartridges are an easy solution for replacement of an Attwood Cartridge Bilge or Aerator Pump. The Replacement Motor Cartridges are interchangeable between same-capacity pumps and aerator pumps. And you can replace the motor without changing the hose or base installations.

The cartridges are color-coded to help you match cartridge size to the pump or aerator:

12-Volt Cartridges

	Product Number	COLOR
500 Series	4620	RED
800 Series	4622	BLUE
1200 Series	4624	GRAY

24-Volt Cartridges

	Product Number	COLOR
800 Series	4623	BLUE
1200 Series	4625	GRAY

To Remove Existing Cartridge

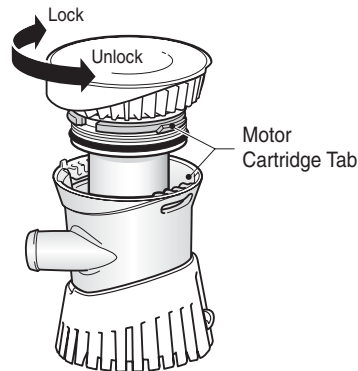
⚠ WARNING

If Aerator is installed thru-hull, **BOAT MUST BE OUT OF THE WATER** to remove or replace motor cartridge.

The pump, plumbing and connections may be below the water level. Removing the cartridge while the boat is in the water may result in flooding and sinking of your boat.

1. Hold pump housing firmly. Depress motor cartridge tabs, then twist cartridge counter-clockwise to remove.

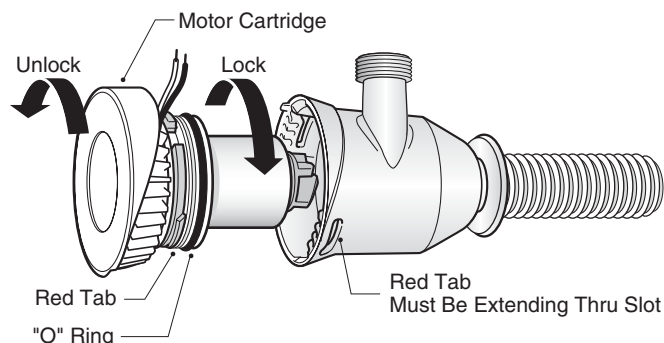
Figure 1



To Insert new motor cartridge

1. Check motor cartridge fit. Motor color must match housing color: 600 Series = RED, 800 = BLUE, 1200 = GRAY.
2. Coat O-ring with vegetable oil to ease insertion.
3. Insert cartridge into housing. Twist clockwise until you hear tabs snap up into slot.

Figure 2



⚠ WARNING

To avoid leaking or sinking, the aerator **RED TAB MUST BE LOCKED AND VISIBLE** through aerator housing slot.

ATTWOOD LIMITED WARRANTY

This Attwood Motor Cartridge carries a three (3) year warranty. See product catalog or www.attwoodmarine.com for details.