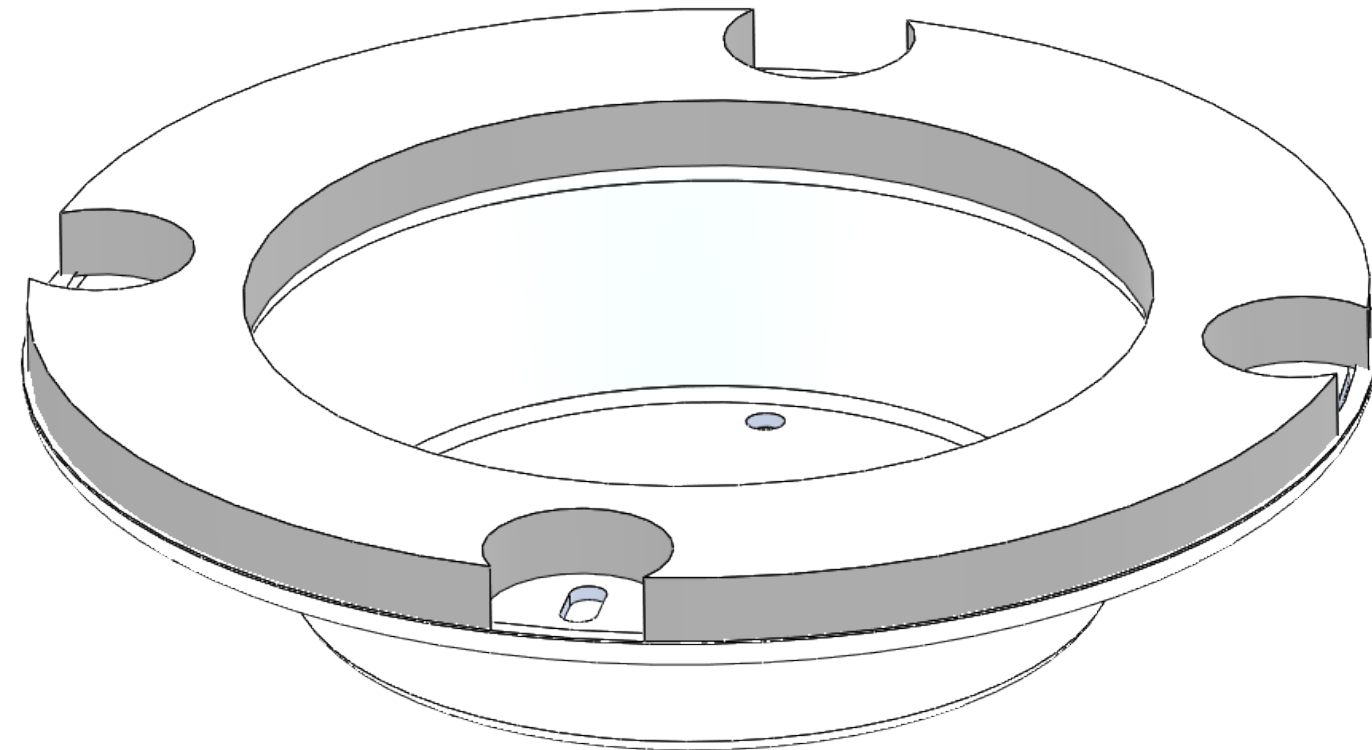
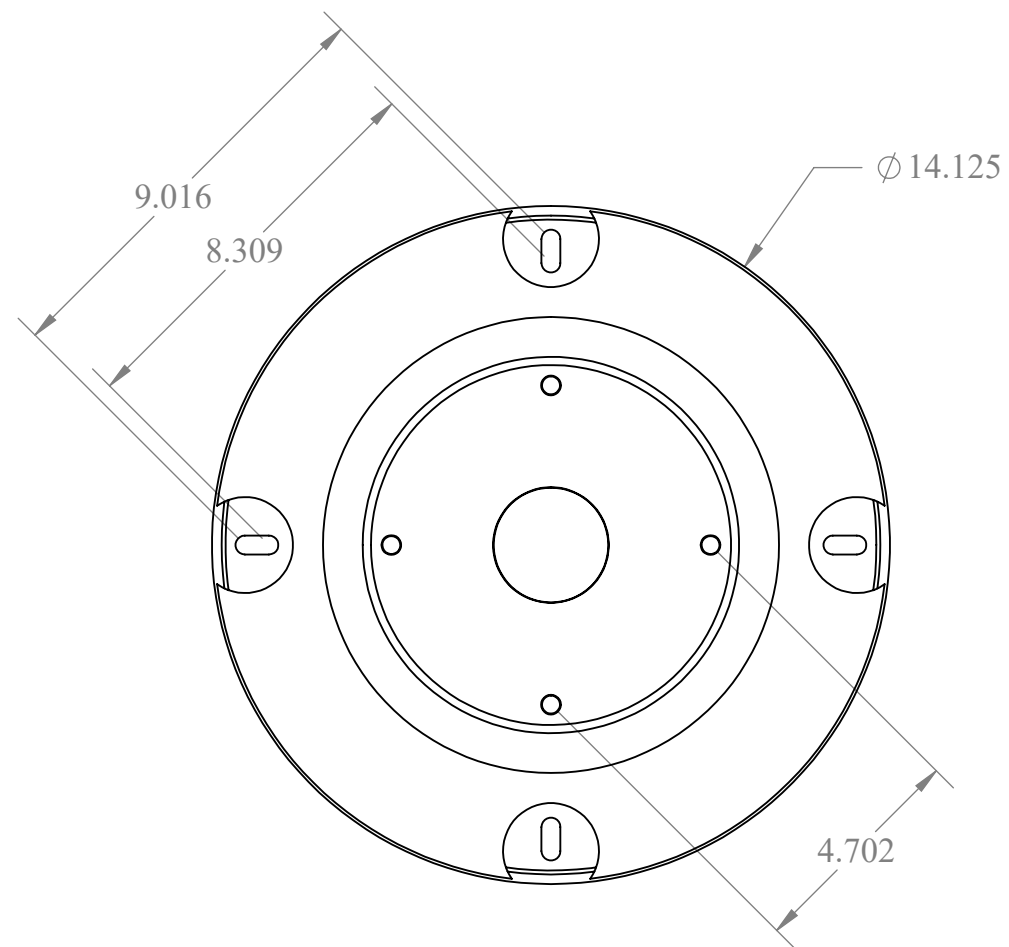
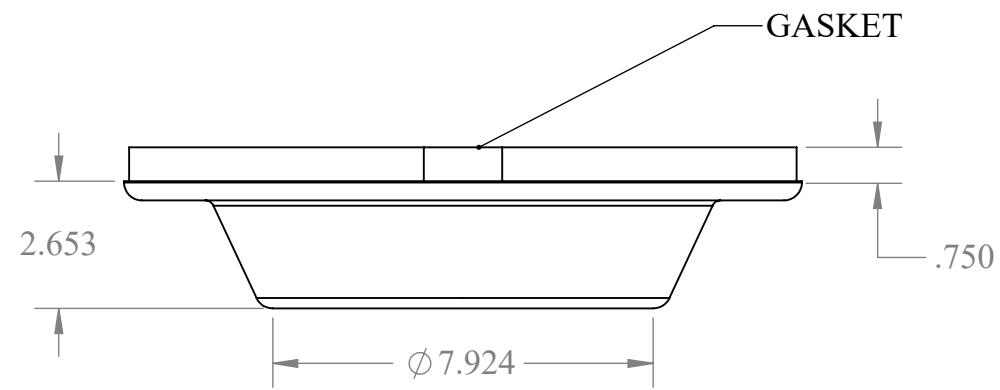



8 7 6 5 4 3 2 1

D
C
B
A

D
C
B
A



PROPRIETARY AND CONFIDENTIAL
THE INFORMATION CONTAINED IN THIS DRAWING IS THE SOLE PROPERTY OF SEAVIEW. ANY REPRODUCTION IN PART OR AS A WHOLE WITHOUT THE WRITTEN PERMISSION OF SEAVIEW IS PROHIBITED.

		UNLESS OTHERWISE SPECIFIED:		NAME	DATE	 TITLE: <h1>AMA-18</h1>			
		DIMENSIONS ARE IN INCHES		DRAWN	M. WEBER			04/17/19	
		TOLERANCES:		CHECKED					
		FRACTIONAL ±		ENG APPR.					
		ANGULAR: MACH ± BEND ±		MFG APPR.					
		TWO PLACE DECIMAL ±.01		Q.A.					
		THREE PLACE DECIMAL ±.003		COMMENTS:					
		INTERPRET GEOMETRIC TOLERANCING PER:				SIZE	DWG. NO.	REV	
		MATERIAL				B	1	A	
NEXT ASSY	USED ON	FINISH				SCALE: 1:4		WEIGHT:	SHEET 1 OF 1
APPLICATION		DO NOT SCALE DRAWING							

8 7 6 5 4 3 2 1