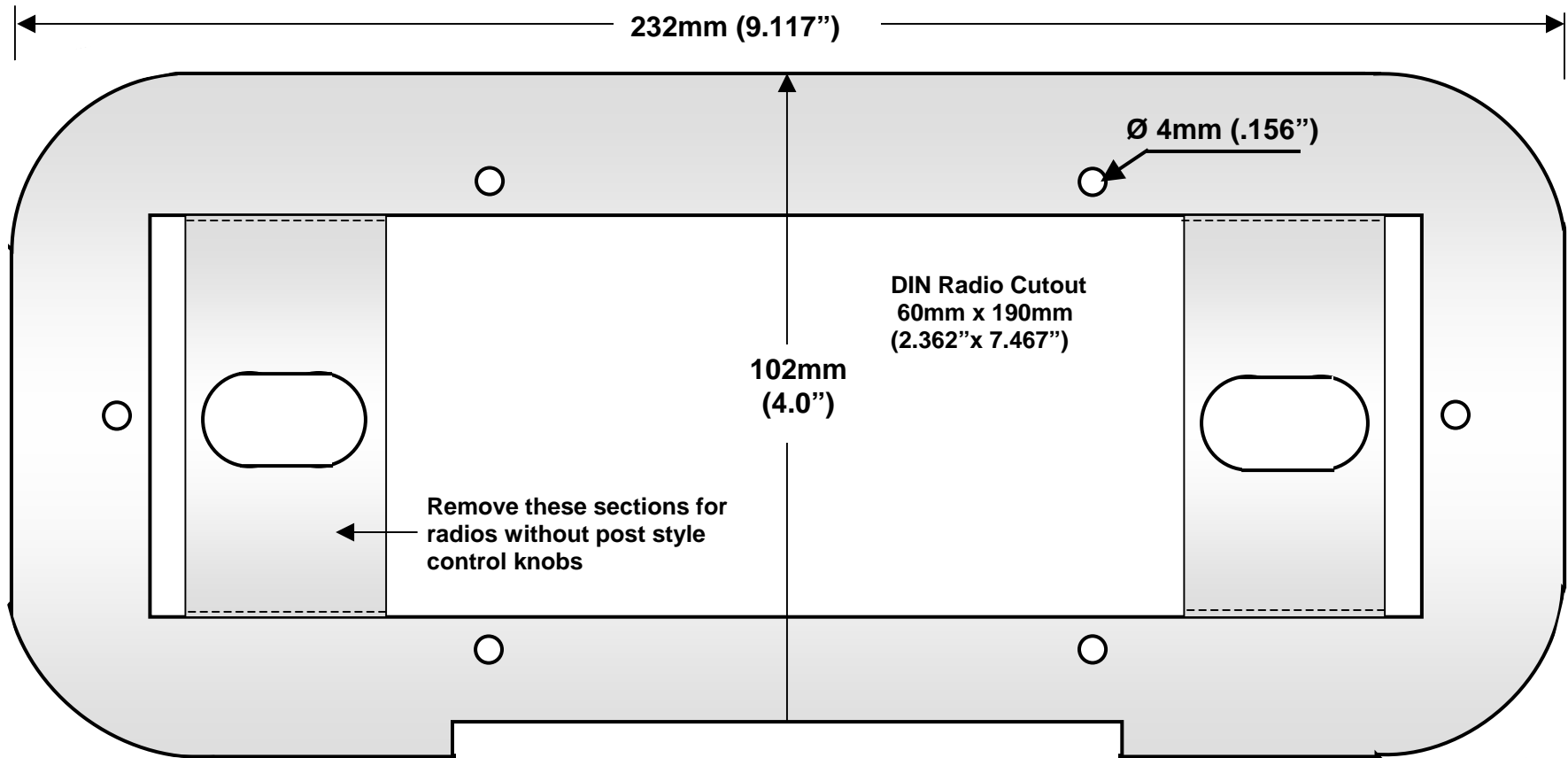


WC3 CUTOUT TEMPLATE



Scale = 1:1

Note: Faxing or reproducing may change scale

WC3 Quick Installation Guide

- Corrosion Proof – Designed for permanent outdoor mounting in a saltwater environment
- Compatible with dual shaft, DIN style and removable 12 volt stereos.
- Stainless Steel mounting hardware included.
- Rubber gasket around door provides all-weather protection.

